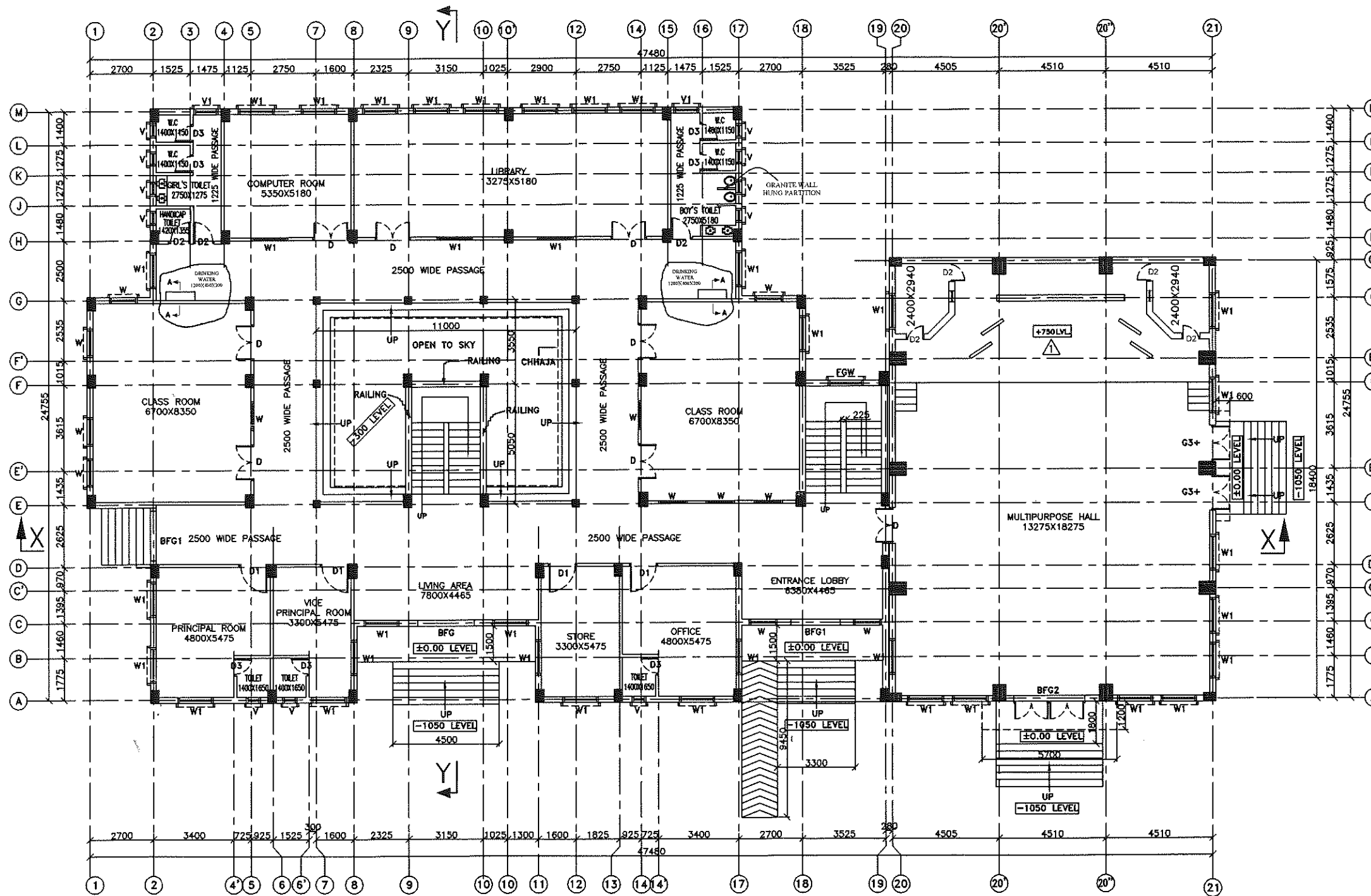


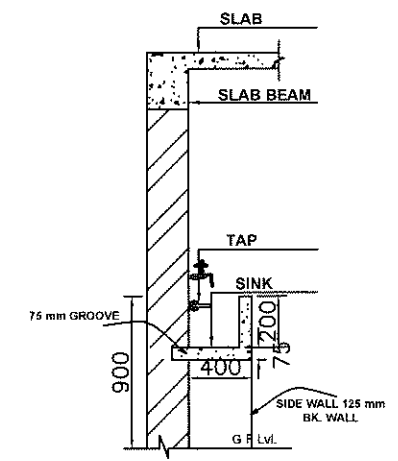
**SCHEDULE OF DOORS & WINDOWS**

SL.NO.	TYPE	WIDTH	HEIGHT	NOS.	DESCRIPTION
1	D	1500	2100	12	DOUBLE PANEL WOODEN DOOR
2	D1	1200	2100	4	SINGLE PANEL WOODEN DOOR
3	D2	900	2100	2	SINGLE PANEL WOODEN DOOR
4	D3	750	2100	8	SINGLE PANEL WOODEN DOOR
5	W	1200	1200	11	STEEL FRAME GLAZED WINDOW
6	W1	1500	1200	34	STEEL FRAME GLAZED WINDOW
7	V	600	600	11	GLAZED VANTILATION
8	V1	1050	600	2	GLAZED VANTILATION
9	F.G.W	1500	1800	1	FIXED STEEL FRAME GLAZED WINDOWS
10	BFG	2400	2400	1	BI FOLD GRILL
11	BFG1	2100	2400	2	BI FOLD GRILL
12	BFG2	3000	2400	1	BI FOLD GRILL
13	G3	1500	2400	1	GRILL




**GROUND FLOOR PLAN**

AREA:-905.76 SQM (9745.98 SQFT.)  
(SCALE 1:100)



SECTION A - A

*Details of Drinking water point  
Revised  
Pankaj Goh  
Sr. Architect*

<b>BIHAR STATE EDUCATIONAL INFRASTRUCTURE DEVELOPMENT CORPORATION LTD.</b> SHIKSHA BHAWAN, SAIDPUR, PATNA		PROJECT	PROPOSED INSTITUTE BUILDING FOR PTEC
A. Hagar 11.7.18 DRAUGHTSMAN BSEIDC, PATNA		DEPT.	BIHAR STATE EDUCATIONAL INFRASTRUCTURE DEVELOPMENT CORPORATION LTD. SHIKSHA BHAWAN, SAIDPUR, PATNA
Pankaj Goh 11.7.18 ARCH. BSEIDC, PATNA		ARCHT. AND CONSULTANT	 <b>RANCHI DESIGN &amp; CONSULTANCY SERVICES PVT. LTD.</b> SOUTH OFFICE PARA, NEAR ST. XAVIER SCHOOL DORANDA, RANCHI-834002
S.L. GOPE S.A. DEBASISH		CHECKED & APPROVED	<b>GROUND FLOOR PLAN</b>
SIZE- SCALE 1:100		DRG. NO.-RDCS/BSEIDC/0036/PINB/001	

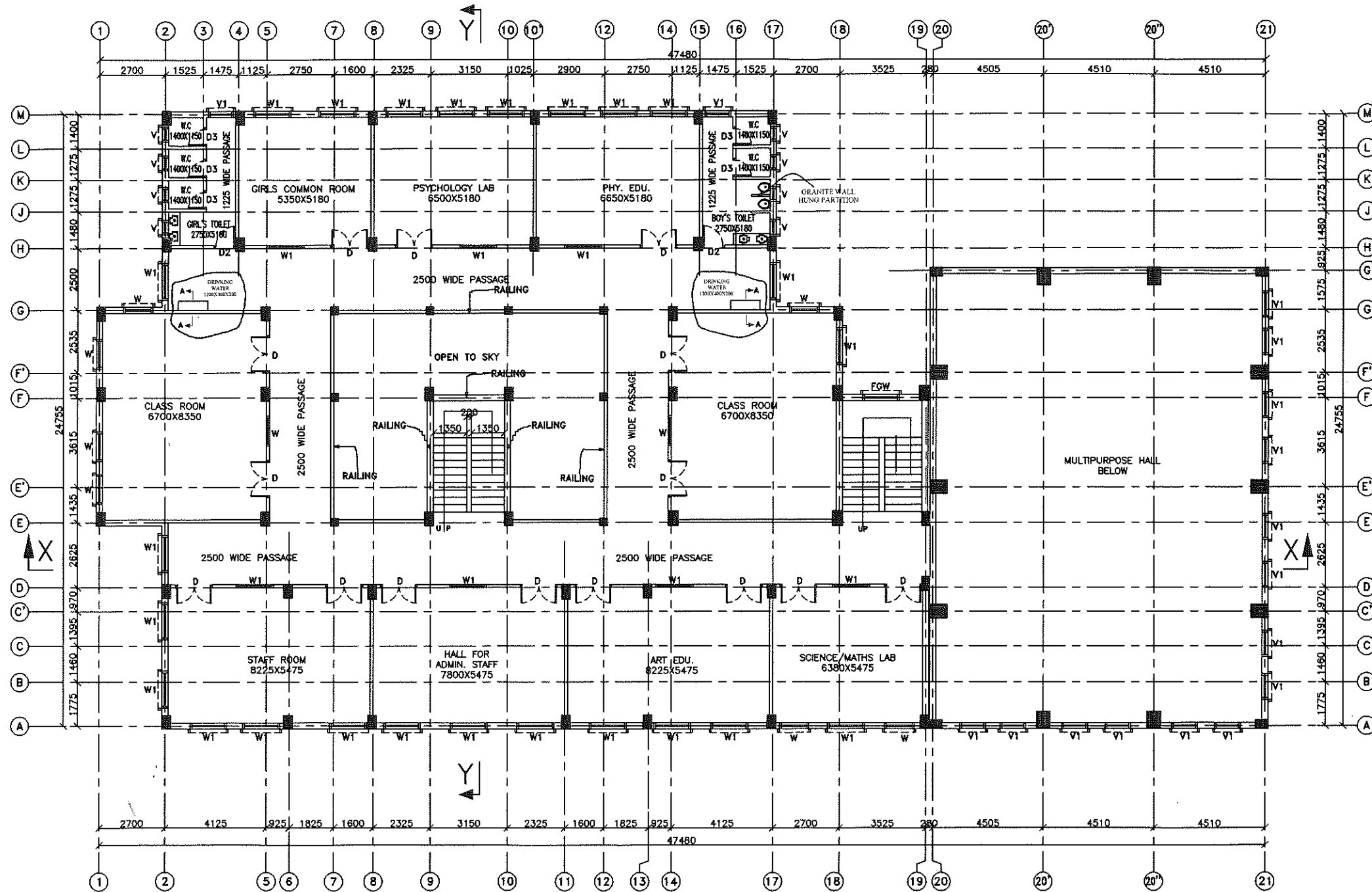
**NOTES:-**  
1. ALL DIMENSIONS AND LEVELS ARE IN mm. & FIGURED DIMENSIONS SHALL BE FOLLOWED.  
2. ±0.00 LEVEL CORRESPONDS TO PLINTH LEVEL(P.L.) OF BUILDING. WHICH IS 1050mm ABOVE FINISHED GROUND LEVEL(G.L.).

3. ALL RCC WORK SHALL BE OF M25 GRADE CONCRETE.  
4. BRICKWORK SHALL BE WITH 100A BRICKS IN CEMENT MORTAR 1:6.

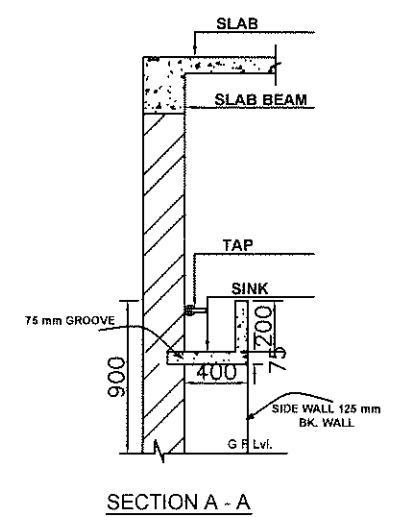
REV.	DESCRIPTION	DATE	BY
△	REVISED AS MARKED △	14.01.15	Sunil

**SCHEDULE OF DOORS & WINDOWS**

SL.NO.	TYPE	WIDTH	HEIGHT	NOS.	DESCRIPTION
1	D	1500	2100	15	DOUBLE PANEL WOODEN DOOR
3	D2	900	2100	2	SINGLE PANEL WOODEN DOOR
4	D3	750	2100	5	SINGLE PANEL WOODEN DOOR
5	W	1200	1200	9	STEEL FRAME GLAZED WINDOW
6	W1	1500	1200	31	STEEL FRAME GLAZED WINDOW
7	V	600	600	8	GLAZED VANTILATION
8	V1	1050	600	16	GLAZED VANTILATION
9	F.G.W	1500	1800	1	FIXED STEEL FRAME GLAZED WINDOWS



**FIRST FLOOR PLAN**  
 AREA:-672.80 SQM (7239.33 SQFT.)  
 (SCALE 1:100)



*Revised Details for Drinking water point.  
 Pankaj Gaba Sr. Architect.*

<b>BIHAR STATE EDUCATIONAL INFRASTRUCTURE DEVELOPMENT CORPORATION LTD.</b> SHIKSHA BHAWAN, SAIDPUR, PATNA		PROJECT	PROPOSED INSTITUTE BUILDING FOR PTEC
DRAUGHTSMAN BSEIDC, PATNA ARCH. BSEIDC, PATNA SENIOR (ARCH.) BSEIDC, PATNA		DEPT.	BIHAR STATE EDUCATIONAL INFRASTRUCTURE DEVELOPMENT CORPORATION LTD. SHIKSHA BHAWAN, SAIDPUR, PATNA
RANCHI DESIGN & CONSULTANCY SERVICES PVT. LTD. SOUTH OFFICE PARA, NEAR ST.XAVIER SCHOOL DORANDA, RANCHI-834002		ARCHT. AND CONSULTANT	

- NOTES:-**
- ALL DIMENSIONS AND LEVELS ARE IN mm. & FIGURED DIMENSIONS SHALL BE FOLLOWED.
  - ±0.00 LEVEL CORRESPONDS TO PLINTH LEVEL(P.L.) OF BUILDING. WHICH IS 1050mm ABOVE FINISHED GROUND LEVEL(G.L.).
  - ALL RCC WORK SHALL BE OF M25 GRADE CONCRETE.
  - BRICKWORK SHALL BE WITH 100A BRICKS IN CEMENT MORTAR 1:6.

REV.	DESCRIPTION	DATE	BY

CHECKED & APPROVED	S.L.GOPE	<b>FIRST FLOOR PLAN</b> DRG. NO.-RDCS/BSEIDC/0036/PMB/001
DESIGN BY	S.A.	
DRAWN BY	DEBASISH	
SIZE-	SCALE 1:100	SHEET 2 OF 3 REV R=0