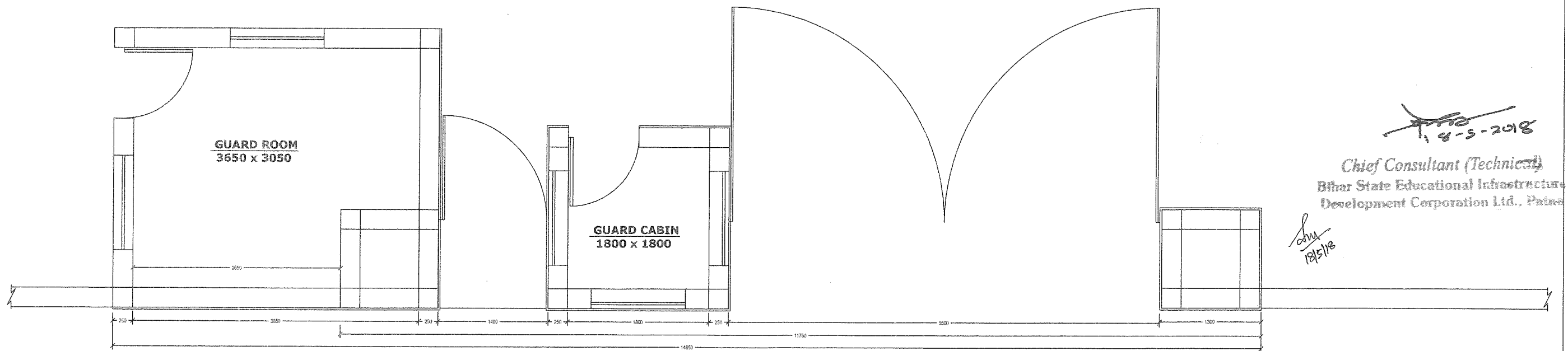



ELEVATION (Main Gate & Guard Room)



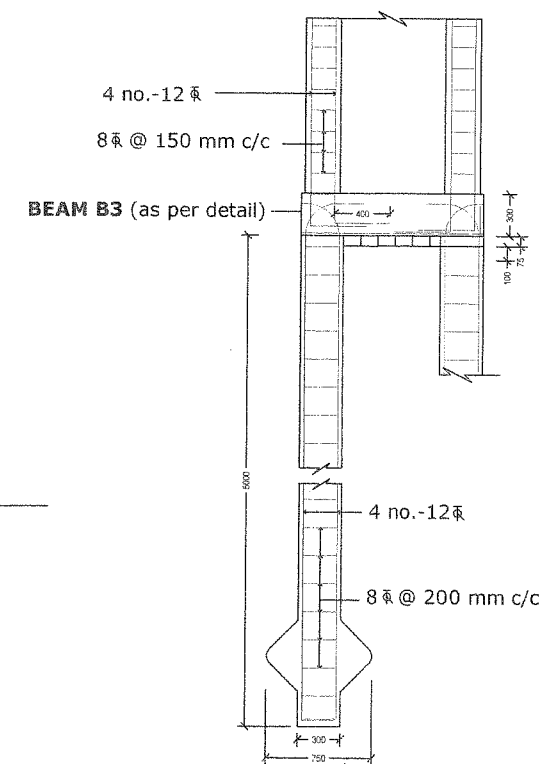
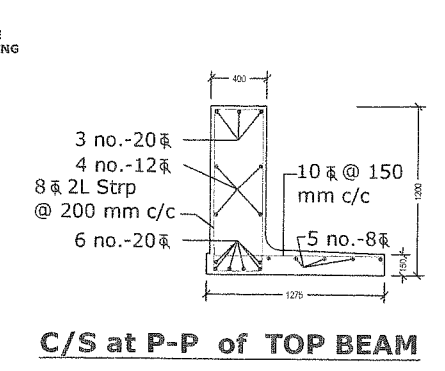
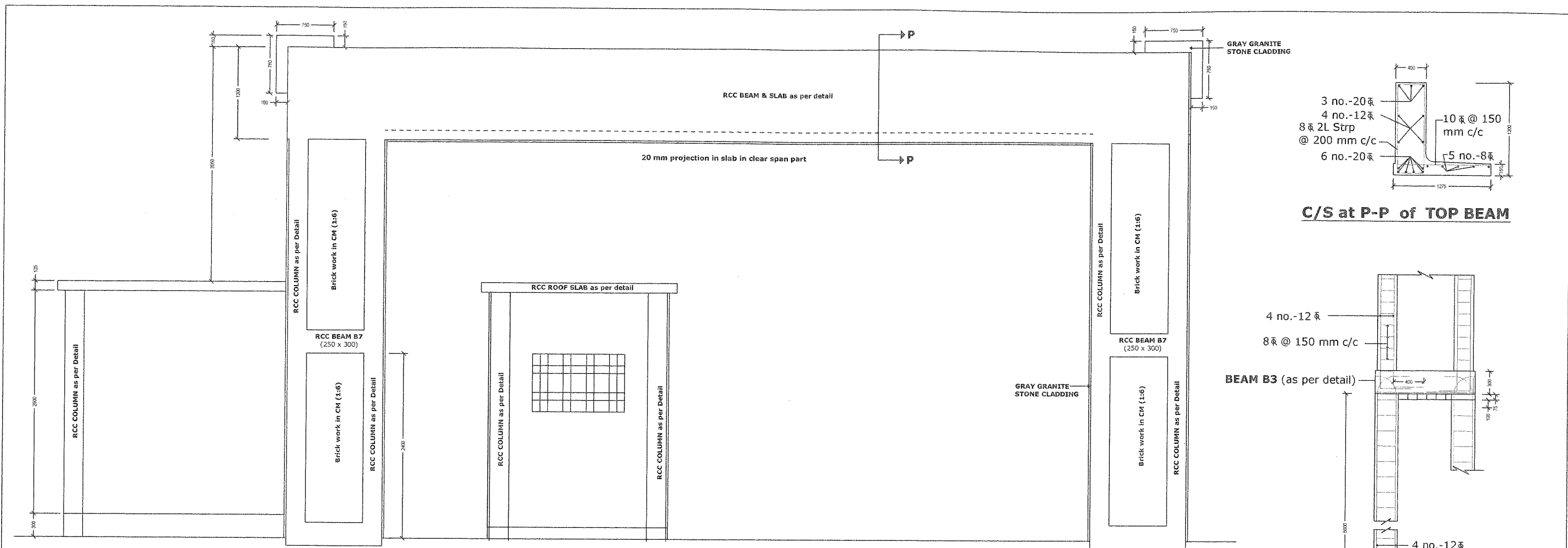
PLAN (Main Gate & Guard Room)


 18-5-2018
 Chief Consultant (Technical)
 Bihar State Educational Infrastructure
 Development Corporation Ltd., Patna

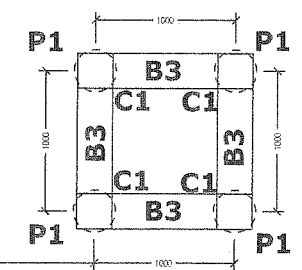
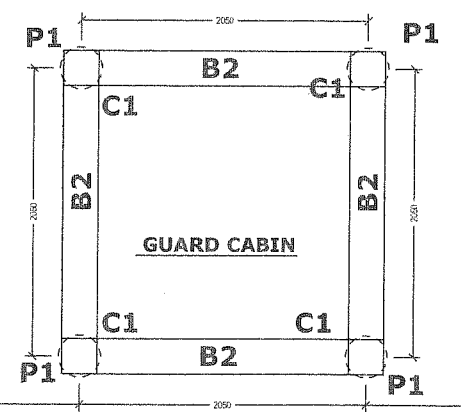
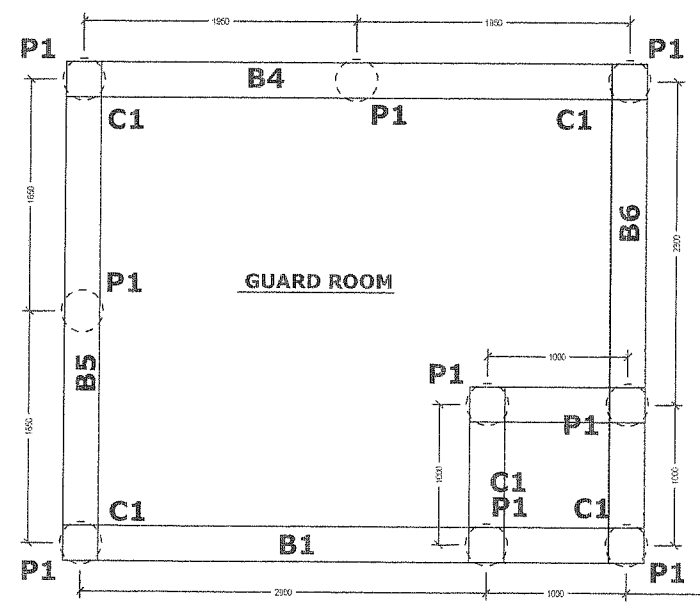
Note :
 1. All dimensions are in mm (otherwise specified).
 2. Development Length (Ld) = 50 x dia of bar
 3. Clear cover : For Pile - 40 mm, For Beam - 25 mm, For Column - 40 mm.

Date :
 05-05-2018
 Bihar State Educational Infrastructure
 Development Corporation Ltd, Patna

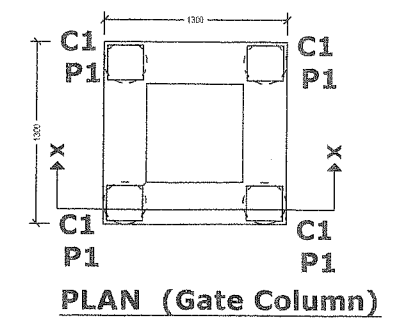
Project : CONSTRUCTION OF BOUNDARY WALL & GATE FOR
 DIET CAMPUS
 Sheet : DETAILS OF ENTRANCE GATE



SECTIONAL DETAILS OF (Main Gate & Guard Room)



SECTION AT X-X (Pile, Cap & Column)



LAYOUT PLAN (PILE, TIE BEAM & COLUMN) of Main Gate & Guard Room)

Note :

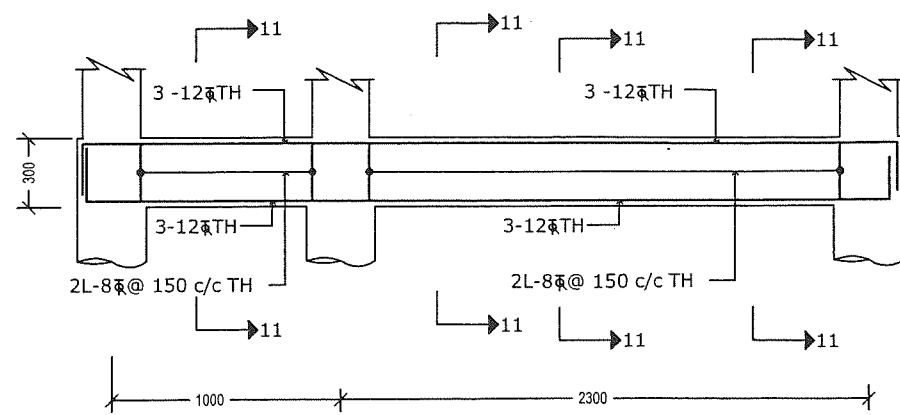
- All dimensions are in mm (otherwise specified).
- Development Length (Ld) = 50 x dia of bar
- Clear cover : For Pile - 40 mm, For Beam - 25 mm, For Column - 40 mm.
- All Piles (P1) are same design of 300 mm dia; All Columns (C1) are same design of 250 x 250 mm section.

Date : 05-05-2018

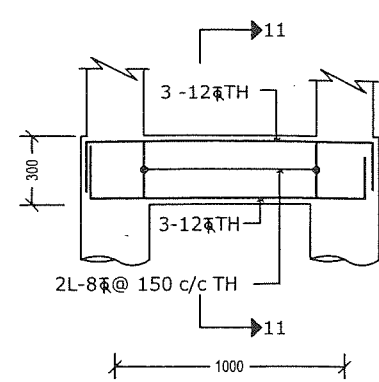
Bihar State Educational Infrastructure Development Corporation Ltd, Patna

Project : CONSTRUCTION OF BOUNDARY WALL & GATE FOR DIET / PTEC CAMPUS

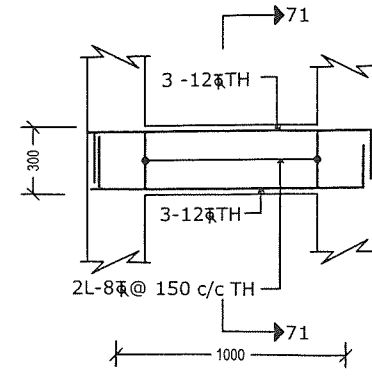
Sheet : DETAILS OF ENTRANCE GATE



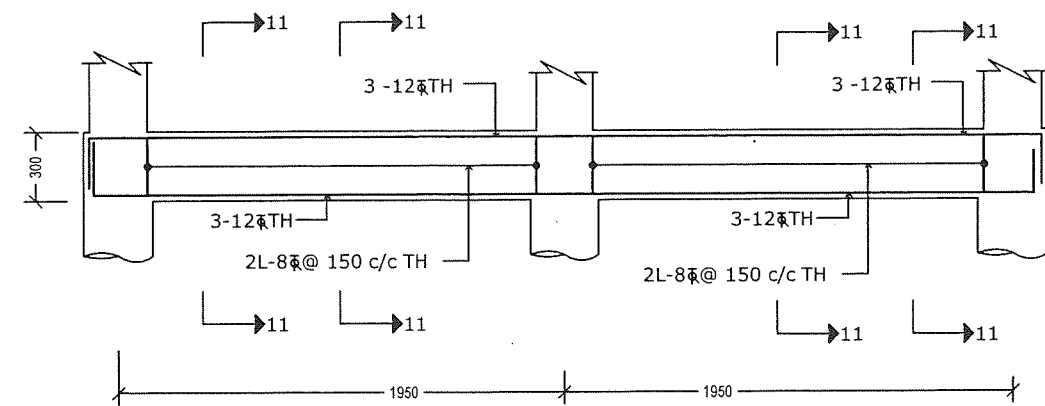
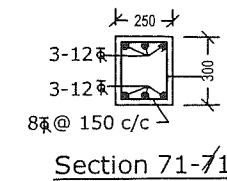
Rein. Detail of Beam B6
(300 x 300)



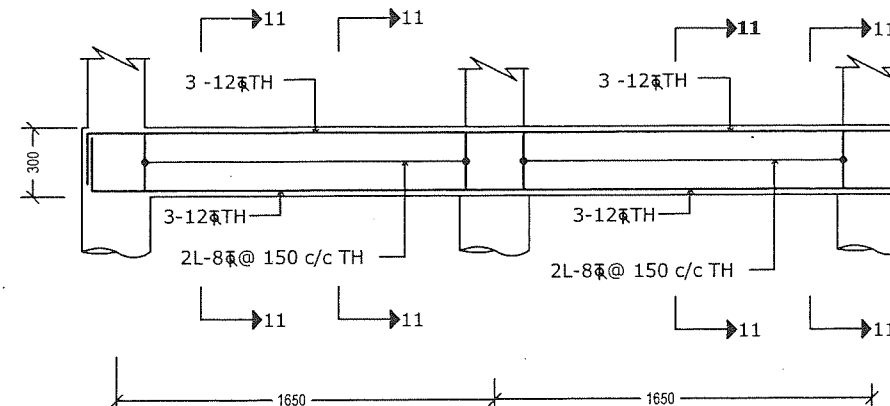
Rein. Detail of Beam B3
(300 x 300)



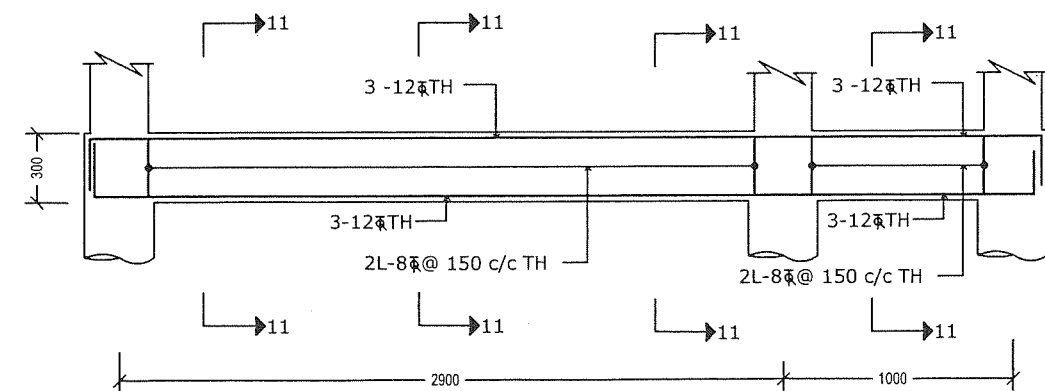
Rein. Detail of Beam B7
(250 x 300)



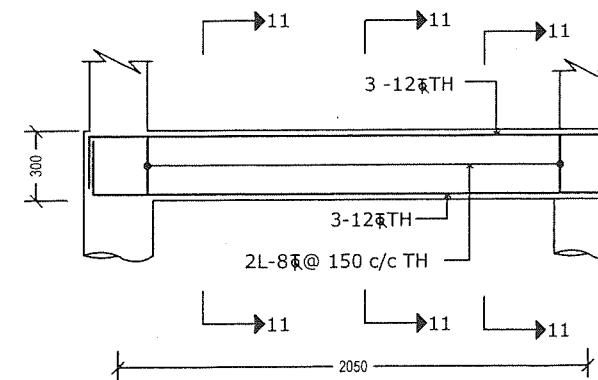
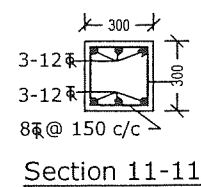
Rein. Detail of Beam B4
(300 x 300)



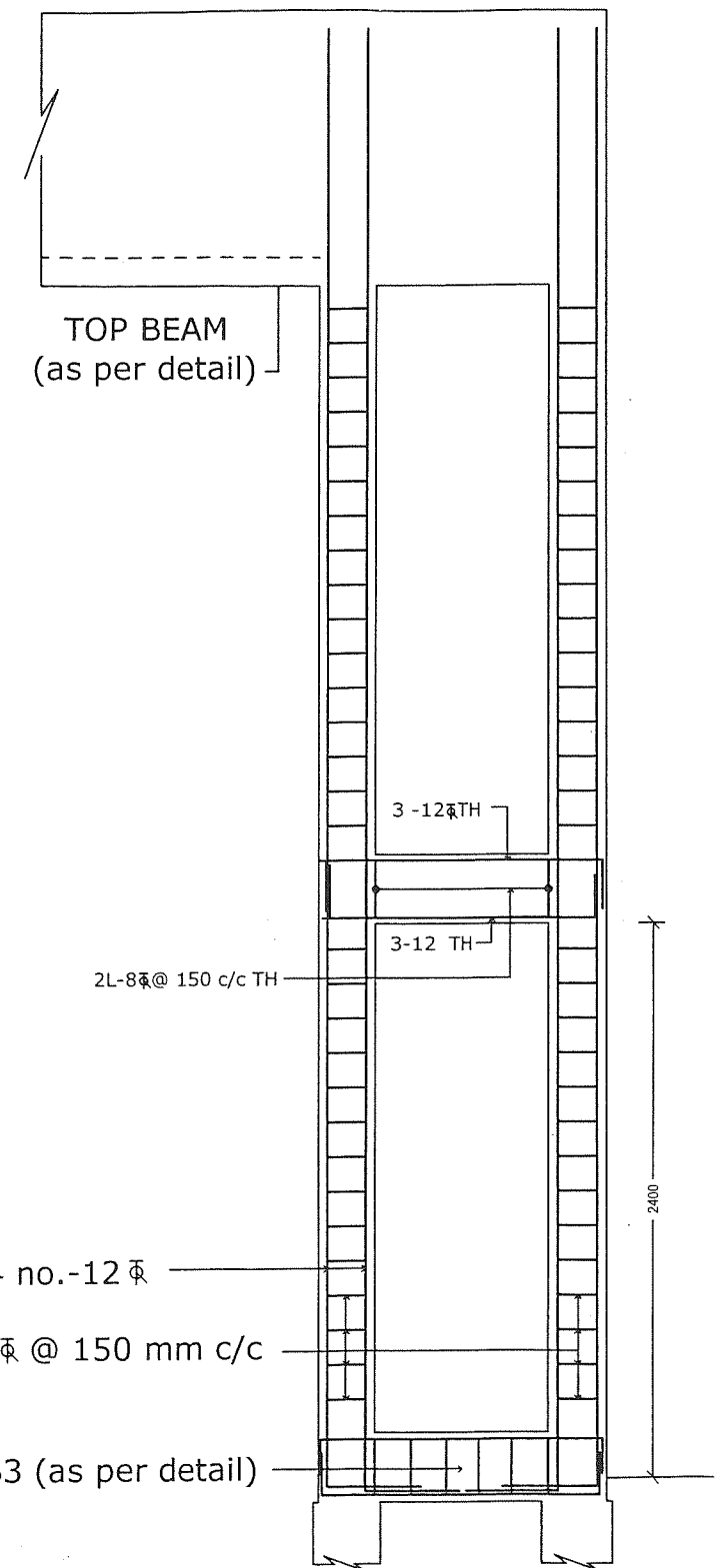
Rein. Detail of Beam B5
(300 x 300)



Rein. Detail of Beam B1
(300 x 300)



Rein. Detail of Beam B2
(300 x 300)



Note :

1. All dimensions are in mm (otherwise specified).
2. Development Length (Ld) = 50 x dia of bar
3. Clear cover : For Pile - 40 mm, For Beam - 25 mm, For Column - 40 mm.

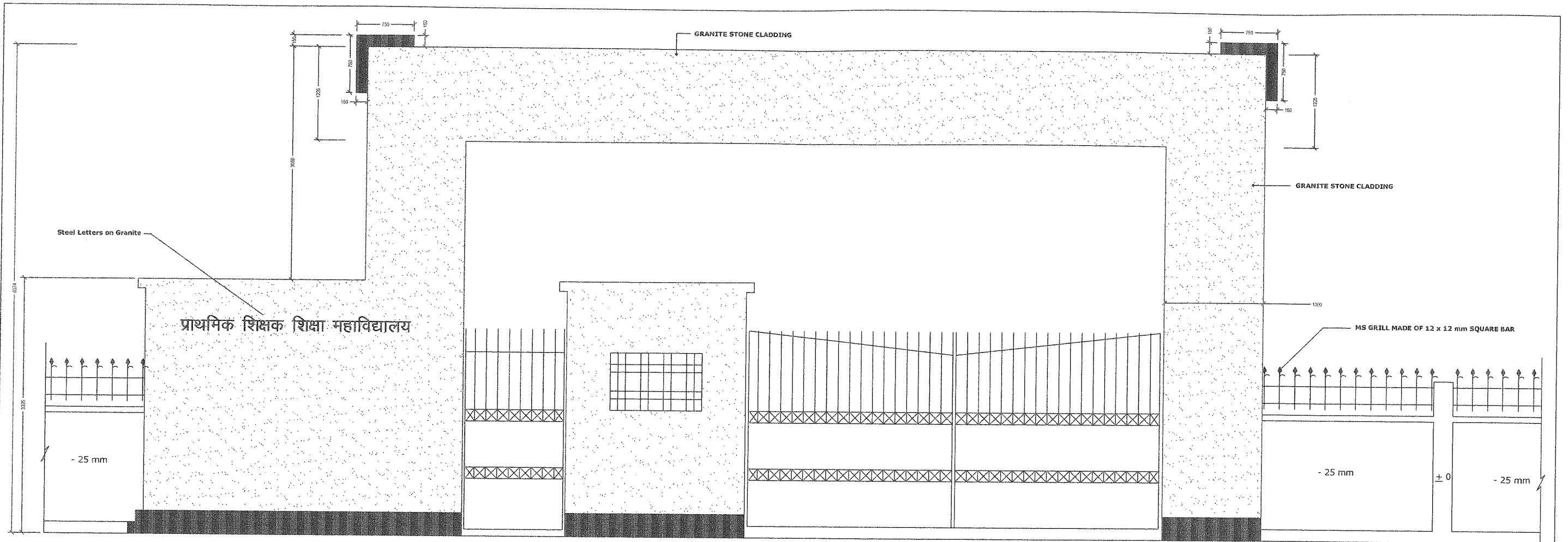
Date :
05-05-2018

Bihar State Educational Infrastructure
Development Corporation Ltd, Patna

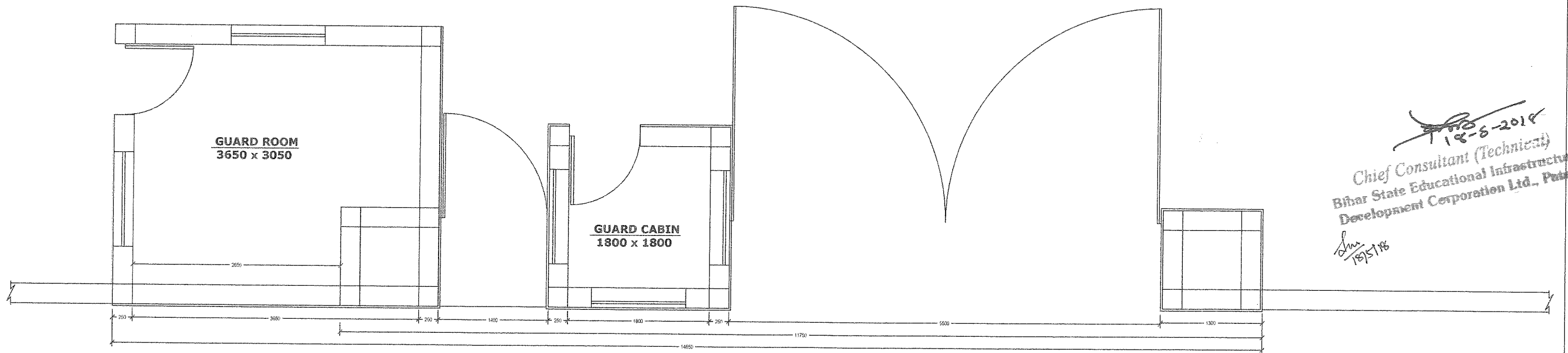
Project : CONSTRUCTION OF BOUNDARY WALL & GATE
FOR DIET / PTEC CAMPUS AT

Sheet : DETAILS OF


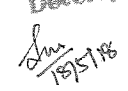
18-5-2018
Chief Consultant (Technical)
Bihar State Educational Infrastructure
Development Corporation Ltd., Patna



ELEVATION (Main Gate & Guard Room)



PLAN (Main Gate & Guard Room)


 18-5-2018
 Chief Consultant (Technical)
 Bihar State Educational Infrastructure
 Development Corporation Ltd., Patna

 15/5/18

Note :
 1. All dimensions are in mm (otherwise specified).
 2. Development Length (Ld) = 50 x dia of bar
 3. Clear cover : For Pile - 40 mm, For Beam - 25 mm, For Column - 40 mm.

Date : 05-05-2018

Bihar State Educational Infrastructure
 Development Corporation Ltd, Patna

Project : CONSTRUCTION OF BOUNDARY WALL & GATE FOR
 PTEC CAMPUS
 Sheet : DETAILS OF ENTRANCE GATE