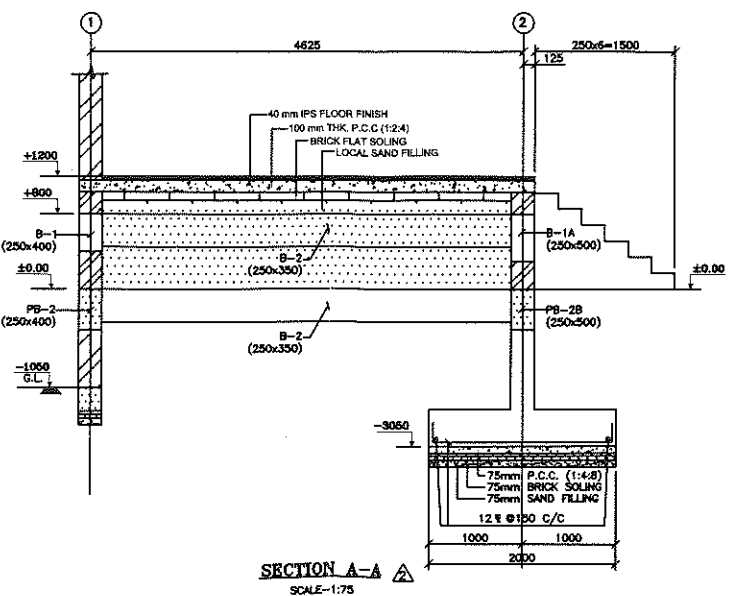
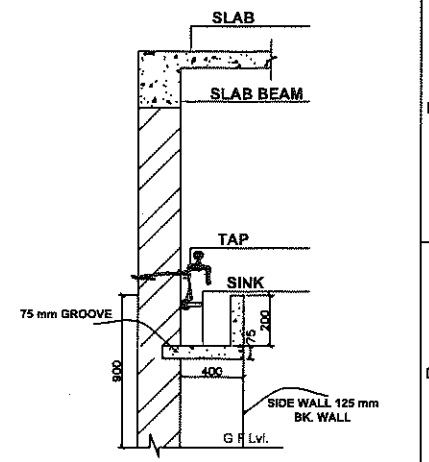


SCHEDULE OF DOORS & WINDOWS					
SL.NO.	TYPE	WIDTH	HEIGHT	NOS.	DESCRIPTION
1	D	1500	2100	6	Daboule panel wooden door
2	D1	1200	2100	20	Single panel wooden door
3	D2	750	2100	17	Single panel wooden door
4	W	1500	1200	22	Steel frame glazed window
5	W1	1200	1200	18	Steel frame glazed window
6	W2	1800	1200	8	Steel frame glazed window
7	V	600	600	17	Center hung steel frame glazed ventilator
8	V1	1200	600	12	Center hung steel frame glazed ventilator
9	F.G-1	1500	1200	1	Fixed grill glazed window
10	F.G-1	1500	900	1	Fixed grill glazed window
10	BFG	3000	2400	2	BI FOLD GRILL



BIHAR STATE EDUCATIONAL INFRASTRUCTURE DEVELOPMENT CORPORATION LTD.
 SHIKSHA BHAWAN, SAIDPUR, PATNA

PROJECT

DEPT.

ARCHT. AND CONSULTANT

CHECKED & APPROVED

DESIGN BY

DRAWN BY

SIZE-

PROPOSED CONSTRUCTION OF INSTITUTIONAL BUILDING OF DIET

BIHAR STATE EDUCATIONAL INFRASTRUCTURE DEVELOPMENT CORPORATION LTD.
 SHIKSHA BHAWAN, SAIDPUR, PATNA

RANCHI DESIGN & CONSULTANCY SERVICES PVT. LTD.
 SOUTH OFFICE PARA, NEAR ST.XAVIER SCHOOL DORANDA, RANCHI-834002

S.L.GOPE

S.A.

PRADEEP

SCALE 1:100

NOTES:-

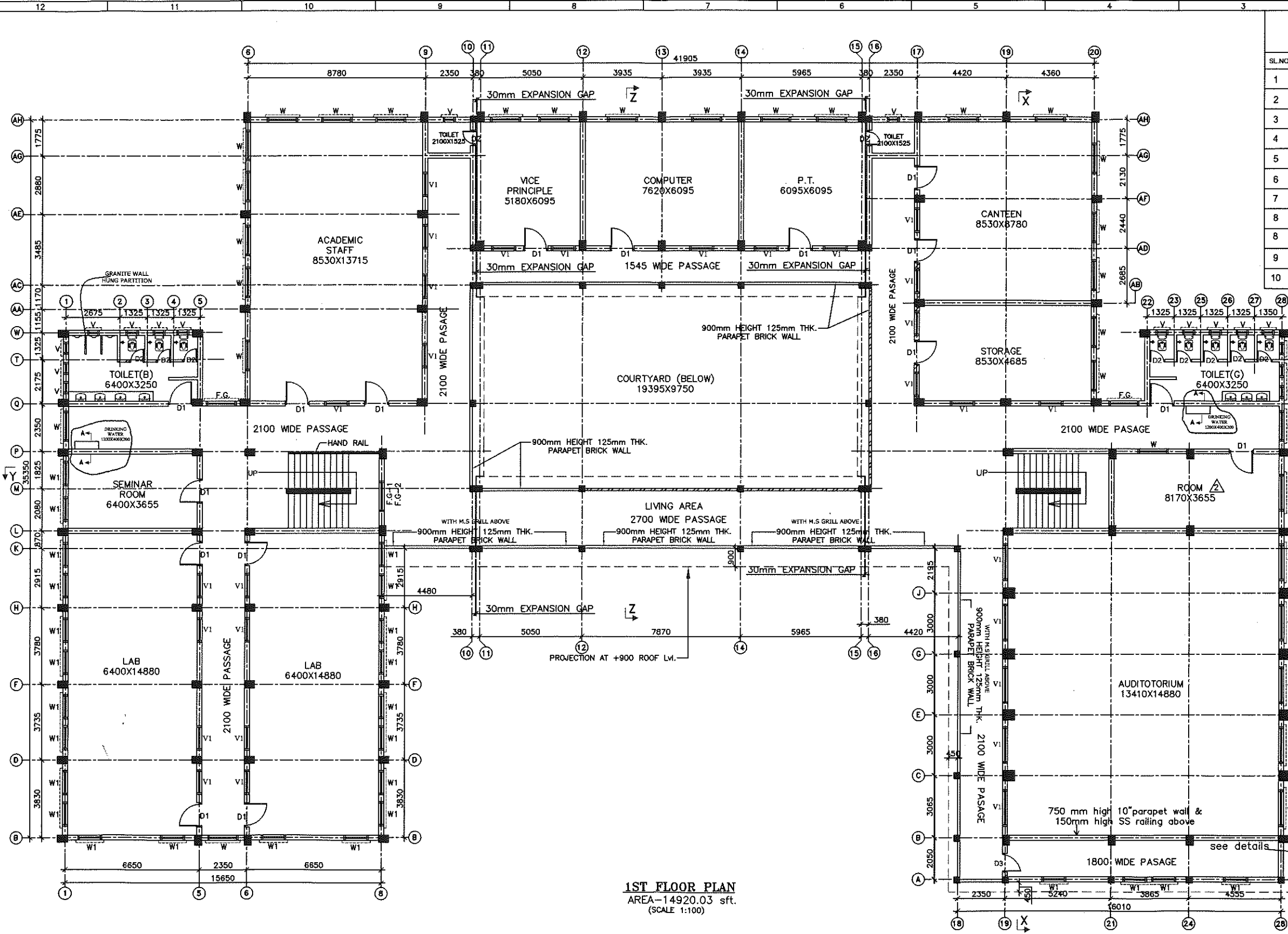
- ALL DIMENSIONS AND LEVELS ARE IN mm. & FIGURED DIMENSIONS SHALL BE FOLLOWED.
- ±0.00 LEVEL CORRESPONDS TO PLINTH LEVEL(P.L.) OF BUILDING WHICH IS 600mm ABOVE GROUND LEVEL(G.L.).
- ALL RCC WORK SHALL BE OF M25 GRADE CONCRETE.
- BRICKWORK SHALL BE WITH 100A BRICKS IN CEMENT MORTAR 1:6.

Pardeep Singh Sr. Arch

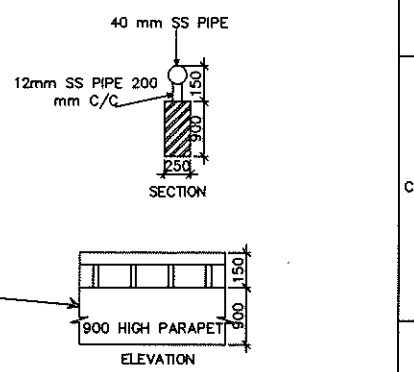
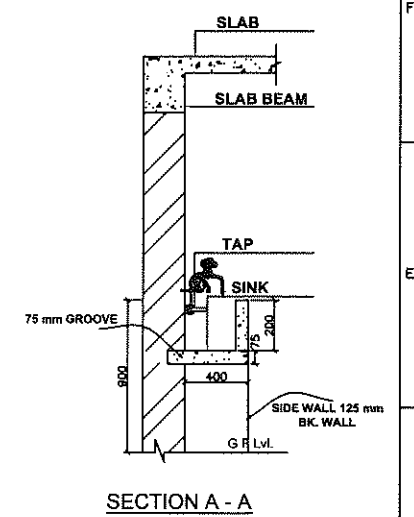
Revised for Drinking water point

REV.	DESCRIPTION	DATE	BY

SHEET 1 OF 3		REV R-1
DRG. NO.-RDCS/BSEIDC/0033/DIET/001		



SCHEDULE OF DOORS & WINDOWS					
SL.NO.	TYPE	WIDTH	HEIGHT	NOS.	DESCRIPTION
1	D1	1200	2100	16	Single panel wooden door
2	D2	750	2100	10	Single panel wooden door
3	D3	900	2100	1	Single panel wooden door
4	W	1500	1200	24	Steel frame glazed window
5	W1	1200	1200	22	Steel frame glazed window
6	W2	1800	1200	1	Steel frame glazed window
7	V	600	600	16	Center hung steel frame glazed ventilator
8	V1	1200	600	32	Center hung steel frame glazed ventilator
8	F.G	1500	1200	3	Fixed grill glazed window
9	F.G-1	1500	900	1	Fixed grill glazed window
10	F.G-2	1500	600	1	Fixed grill glazed window



1ST FLOOR PLAN
AREA-14920.03 sq.ft.
(SCALE 1:100)

BIHAR STATE EDUCATIONAL INFRASTRUCTURE DEVELOPMENT CORPORATION LTD.
SHIKSHA BHAWAN, SAIDPUR, PATNA

PROJECT: PROPOSED CONSTRUCTION OF INSTITUTIONAL BUILDING OF DIET

draughtsman: A.HOQUE 11.7.18
ARCH.: BSEIDC, PATNA
senior (arch.): Pankaj Singh 11.7.18
BSEIDC, PATNA

DEPT.: BIHAR STATE EDUCATIONAL INFRASTRUCTURE DEVELOPMENT CORPORATION LTD.
ARCHT. AND CONSULTANT: RDCS RANCHI DESIGN & CONSULTANCY SERVICES PVT. LTD.
SOUTH OFFICE PARA, NEAR ST.XAVIER SCHOOL DORANDA, RANCHI-834002

- NOTES:-**
- ALL DIMENSIONS AND LEVELS ARE IN MM. & FIGURED DIMENSIONS SHALL BE FOLLOWED.
 - ±0.00 LEVEL CORRESPONDS TO PLINTH LEVEL(P.L.) OF BUILDING, WHICH IS 600mm ABOVE GROUND LEVEL(G.L.).
 - ALL RCC WORK SHALL BE OF M25 GRADE CONCRETE.
 - BRICKWORK SHALL BE WITH 100A BRICKS IN CEMENT MORTAR 1:6.

CHECKED & APPROVED: S.L.GOPE
DESIGN BY: S.A.
DRAWN BY: PRADEEP
SCALE: 1:100

FIRST FLOOR PLAN